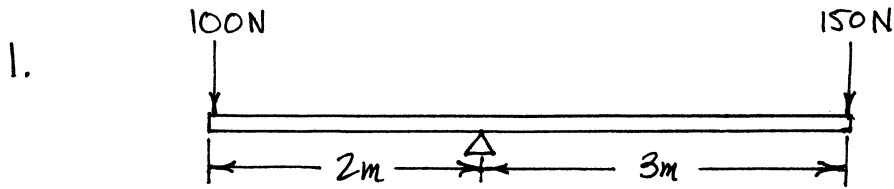
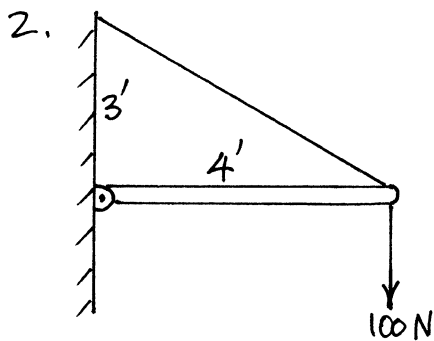


Physics Statics Problems



Find the magnitude and placement of the force that must be added for equilibrium so that the fulcrum exerts a force of 200 N. Assume that the bar is weightless.



Assuming that the horizontal bar is weightless, find the tension T in the wire and the x and y components P_x and P_y , respectively, of the force of the hinge on the bar.

In questions 3-5, the hinged rod has a weight of 100N that is uniformly distributed (assume that gravity acts at the rod's center). Assume that the contact of the rod with the wall or floor is frictionless.

